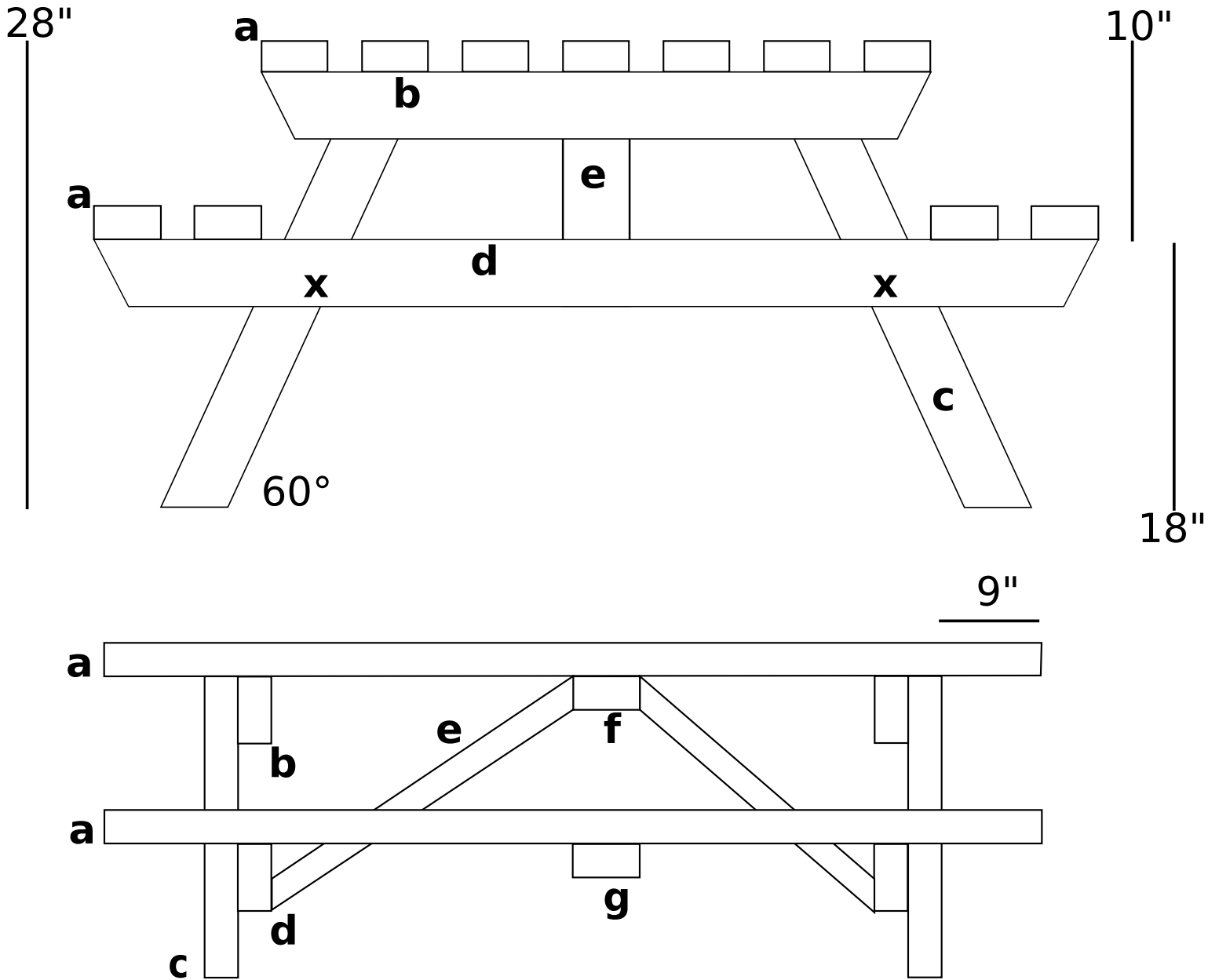


# Picnic Table



All wood is 2"x4" boards.

**a** = 11 × 72"

**b** = 2 × 28"

**c** = 4 × 33"

**d** = 2 × 52"

**e** = 2 × 27"

**f** = 1 × 20"

**g** = 2 × 7"

Uses about 100 2½" #8 screws.  
 Piece **f** length is approximate;  
 cut it to fit after rest of table  
 assembled.

Diagram not to scale!

**x** = ¼" bolt & nut (with washers)